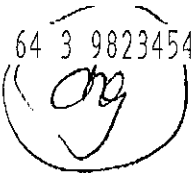


058681



LAZER-ALIGN

64 3 9823454



REPORT FORM

Truck Alignment Services Ltd

PO Box 16 345, Christchurch 8042

Ph: (03) 982 3453 Fax: (03) 349 7005

REG NO 42769

MAKE/MODEL 4 axle

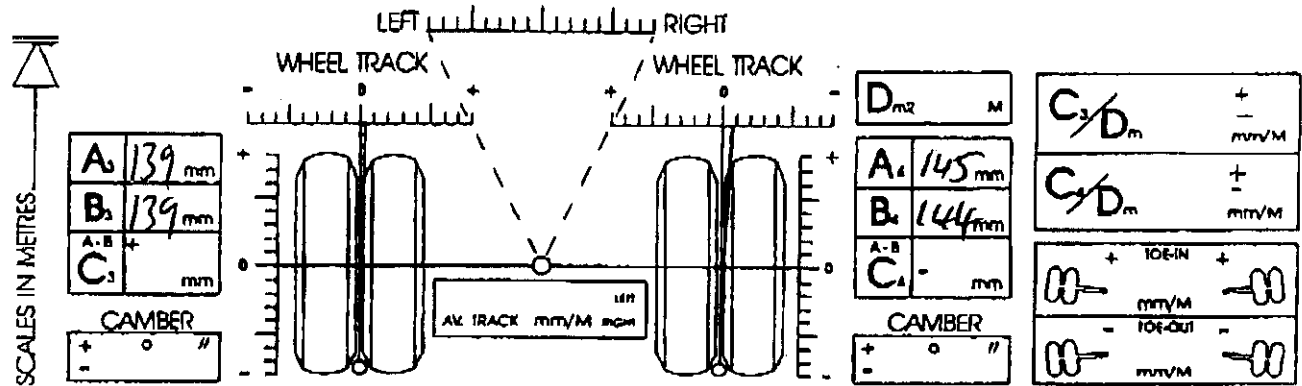
KM 96363

OWNER Millar

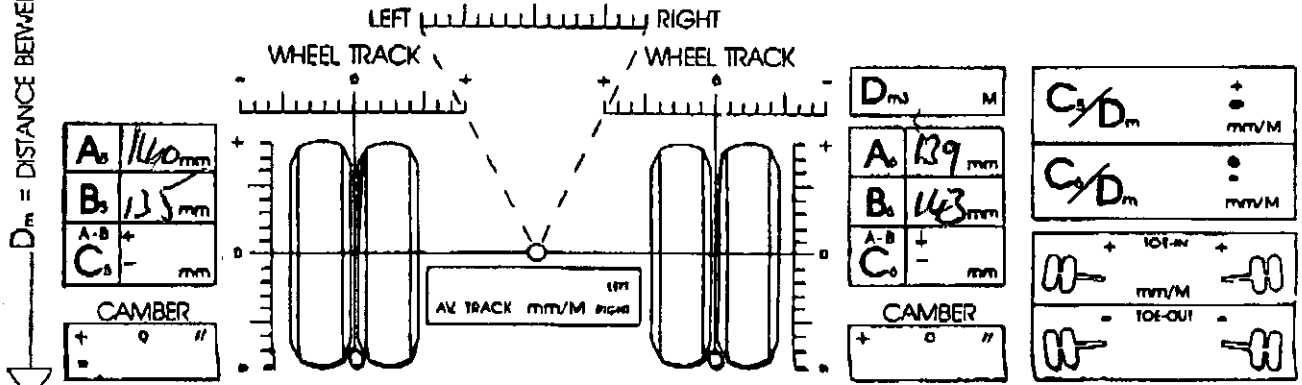
1934

DATE 1/8

FIRST DRIVE AXLE AVERAGE TRACK



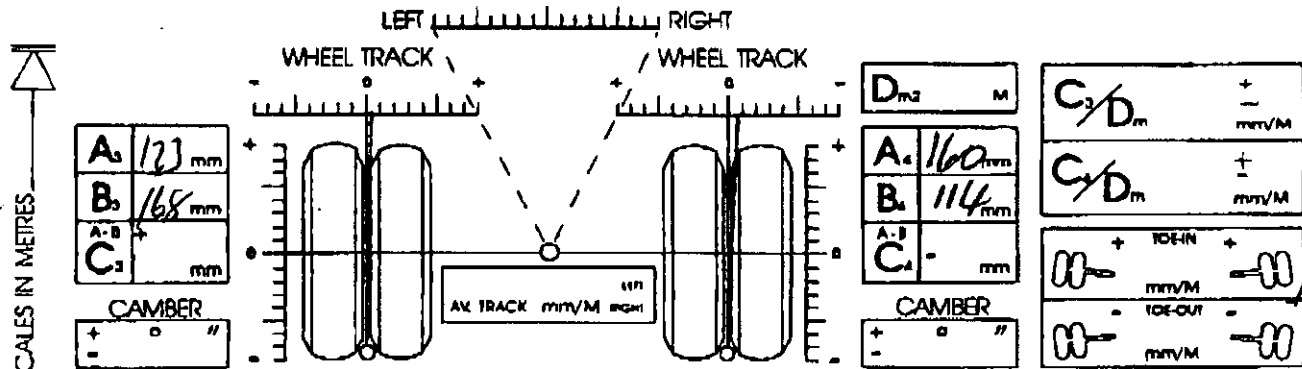
SECOND DRIVE AXLE AVERAGE TRACK



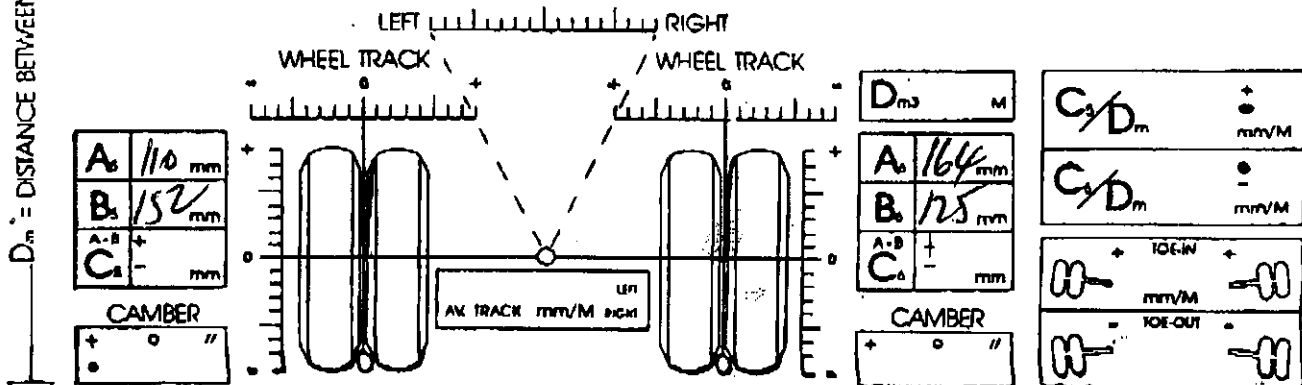
AVERAGE OUT OF SQUARE



MAX. OUT OF PARALLEL



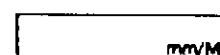
SECOND DRIVE AXLE AVERAGE TRACK



AVERAGE OUT OF SQUARE



MAX. OUT OF PARALLEL



D_m = DISTANCE BETWEEN SCALES IN METRES.



148

140
142

148
133

130
130