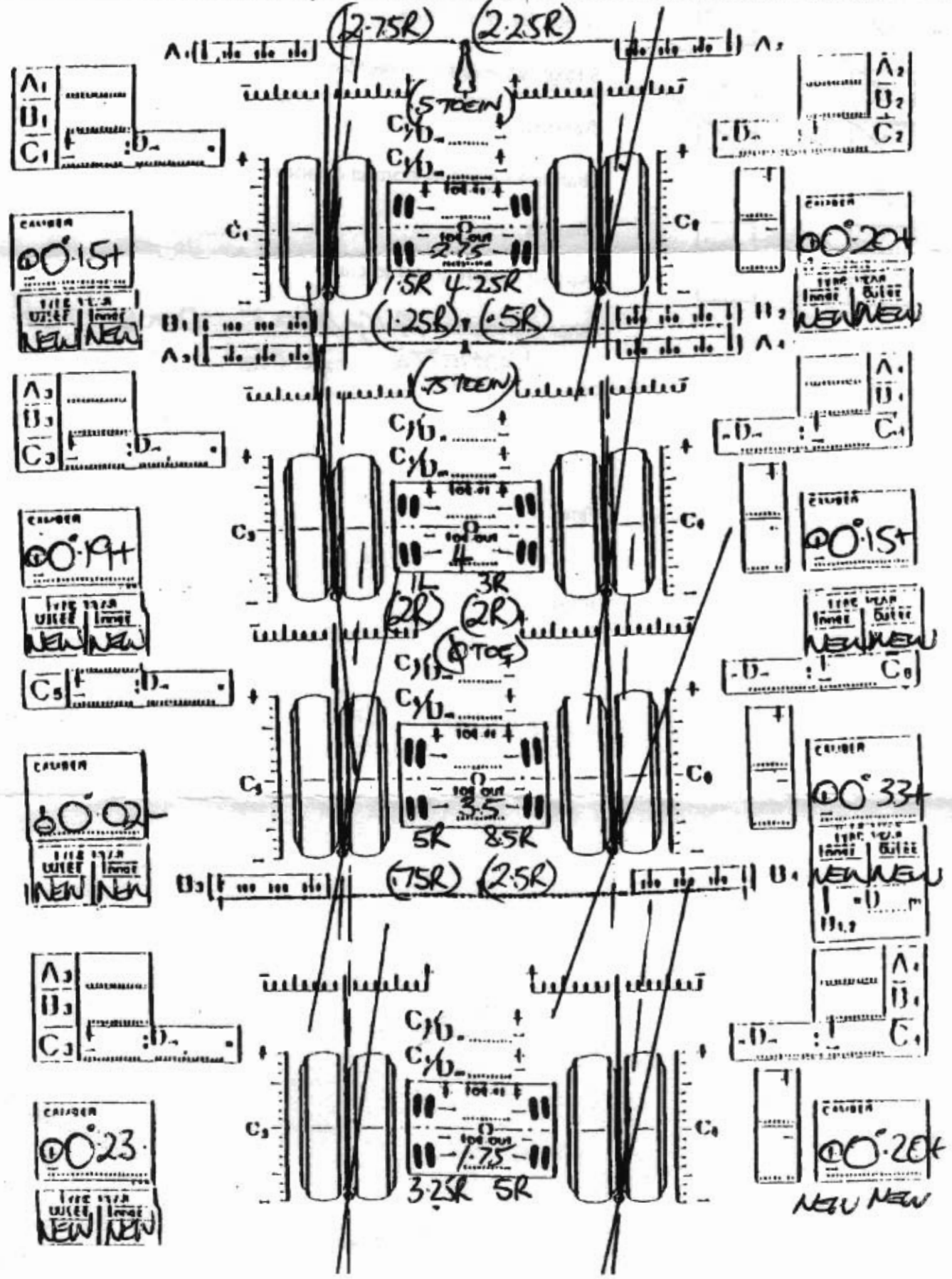


# WHEEL ALIGNMENT REPORT FROM: **TRUCK STEERING SERVICES (2006) LTD** laser AM

59 AVIATION AVENUE, MOUNT MAUNGANUI  
PHONE: (07) 572 2450 FAX: (07) 572 2450 MOBIL: 027 282 8660

NAME DOMETT'S TRAILERS JOB NO 230 DATE 26.8.08 SIGNED RT

FLEET NO 5044 TYPE 4 AXIE TRAILER MILES/KMS 2954 HUB NIL



NEW NEW