

Job 3742

Transport Maintenance (3rd Ave) Ltd.

Cnr 3rd Ave & Glasgow St, Tauranga 23187 v1m PO Box 2270

Ph. (07) 577 9895

Fax (07) 578 8249

() measurements before aligning. #3742

Reg.nr Type 4 AXLE TANKER Miles/Km Dat. 7-9-10

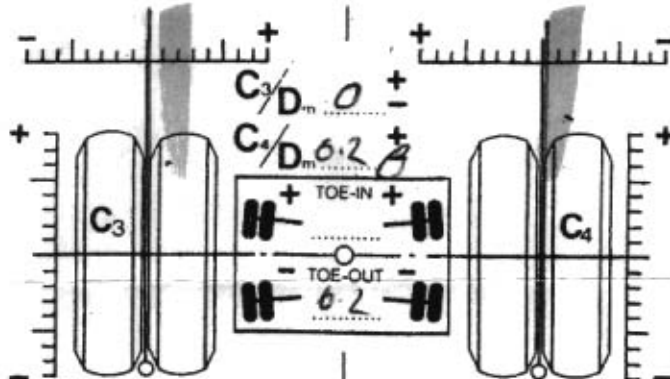
Name DOMETT Inv. no. 97208 Sign.

A1	145	148
B1	145	147
C3	± - : D _m 5 =	

CAMBER	
⊕	10

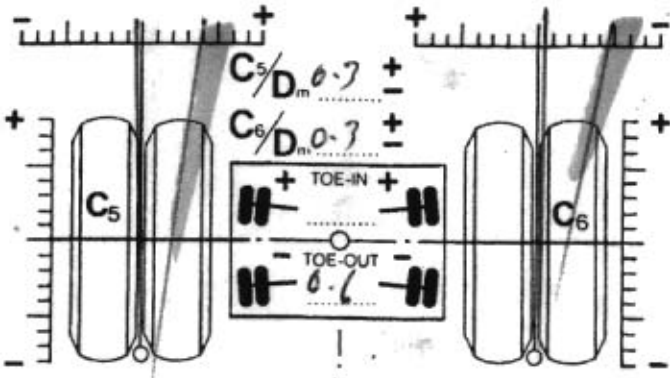
A1	142	161
B1	144	142
C5	± 2 : D _m 5 =	

CAMBER	
⊕	15



A2	149	150
B2	151	150
C4	- D _m 5 : ± 1	

CAMBER	
⊕	20



A2	149	150
B2	151	150
C6	- D _m 5 : ± 2	

CAMBER	
⊕	15

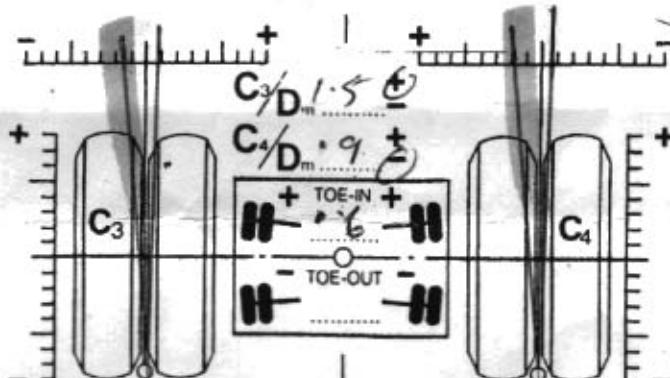


A1	153	146
B1	147	155
C3	± 6 : D _m 4 =	

CAMBER	
⊕	20

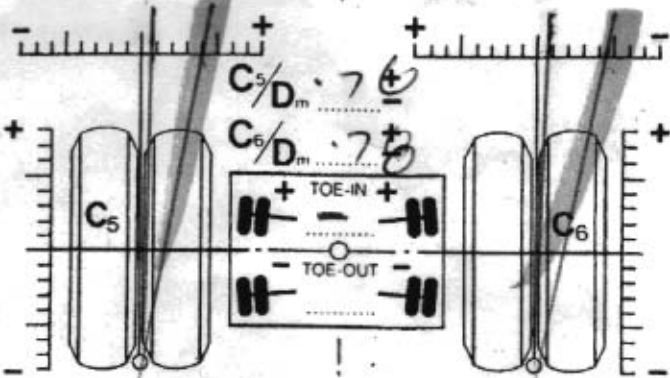
A1	151	150
B1	149	139
C5	± 3 : D _m 4 =	

CAMBER	
⊕	15



A2	151	151
B2	154	154
C4	- D _m 4 : ± 5	

CAMBER	
⊕	20



A2	148	148
B2	153	153
C6	- D _m 4 : ± 5	

CAMBER	
⊕	25