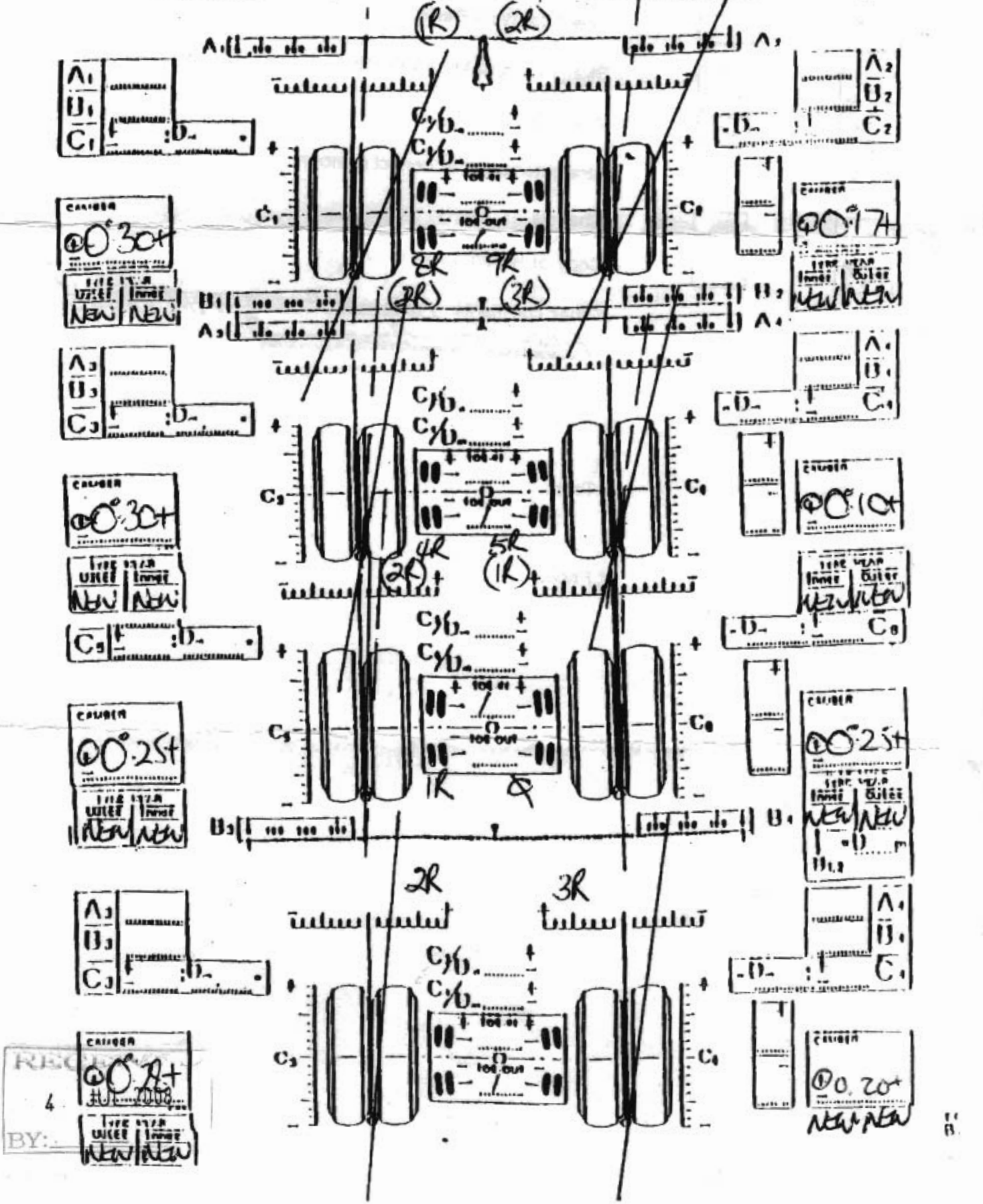


**WHEEL ALIGNMENT REPORT FROM:** Job # 294 **JOSAM laser AM**

**TRUCK STEERING SERVICES (2006) LTD**  
 59 AVIATION AVENUE, MOUNT MAUNGANUI  
 PHONE: (07) 572 2450 FAX: (07) 572 2450 MOBIL: 027 282 8660

NAME Donnetts JOB NO. 185 DATE 2/6/08 SIGNED Rt

RES. NO: 1831 TYPE AXLE TRAIN MILES/KMS.        HUB NEW



BY: